

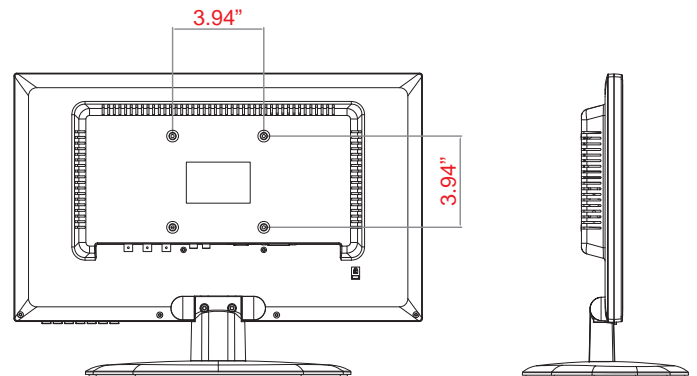
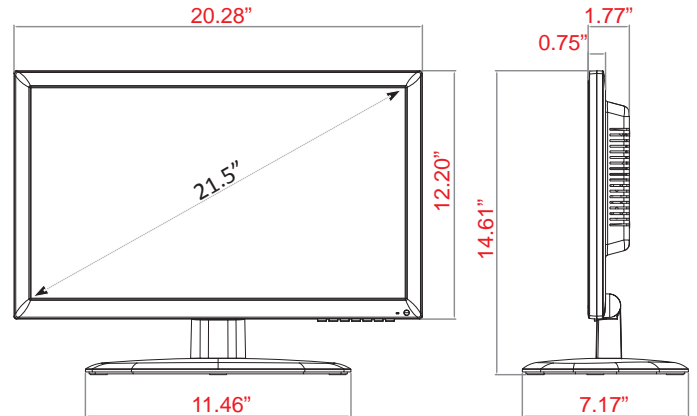
215LED-P

PREMIUM LED CCTV MONITOR

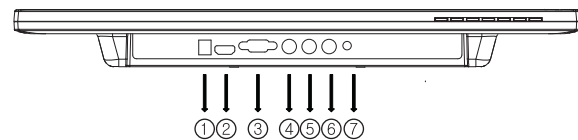


215LED-P ADVANTAGES:

- 1080p Resolution
- 40% Lower Power Consumption
- HDMI, VGA, BNC
- 3D Comb-filter, De-interlace, Built-in Speakers
- 3-Year Warranty



INTERFACE



1. DC 12V IN
2. HDMI IN
3. VGA(D-SUB) IN
4. AV1 IN
5. AV2 IN
6. AV1 and AV2 OUT
7. PC AUDIO IN

Contact Point

- www.orion-technology.eu
- Hasselager Centervej 11, 8260 Viby J, Denmark
- TEL: + 45 87 38 86 40 / FAX: + 45 87 38 86 47

MODEL #	215LED-P
DISPLAY	
Screen Size	21.5"
Max. Resolution	1920 x 1080 @ 60Hz
Pixel Pitch	0.248mm x 0.248mm
Brightness	250cd/m ² (Typical)
Contrast Ratio	1000:1
Aspect Ratio	16 : 9
Viewing Angle (H/V)	170°/160°
Display Color	16.7 Million
Response Time	< 5ms
Video System	NTSC / PAL
Frequency (H)	31 ~ 80Khz
Frequency (V)	56 ~ 75Hz
INTERFACE	
AV(Composite) In/ Out	2/1
HDMI In	1
VGA(D-SUB) in	1
PC AUDIO in	1
AUDIO	
Built in speaker	2 W x 2
SPECIAL FEATURES	
Multi Display Function	PIP(Unavailable in between AV1/2. Update)
Filter Type	3D Comb filter / DeInterlace
Video Resolution(Max)	600 TV Line
Multi-lingual Language	English
DIMENSIONS	
Outline Dimension (W x H x D)	20.25" x 14.56" x 7.16" (514.5mm x 370.0mm x 182mm)
Net Weight	8.4lbs (3.81kg)
MOUNT	
VESA	100mm x 100mm
GENERAL	
Transmitter - IR Remote Control	YES
Power - Electrical Ratings	DC12V(AC100 ~ 240V[50/60Hz])
- Consumption	21.6W
Warranty - Parts/ Labor	3 Year / 3 Year
- MTBF (Approx.)	50,000 Hours
Operating Temperature	32 - 104°F / 0 - 40°C
Regulations	TUV-NRTL (=UL), CB, FCC(A), CE-Emc(LVD)
Compatible Mounts - WALL	VZ-WM05, VZ-WM10, VZ-WM30, VZ-WM31
- CEILING	VZ-CMK01, VZ-CMK05, VZ-CMK07
- RACK	N / A